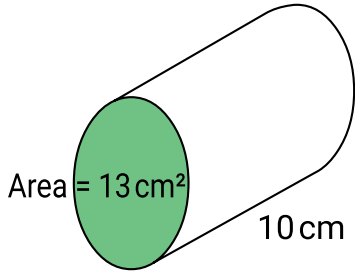


Year 8 Class 24 questions

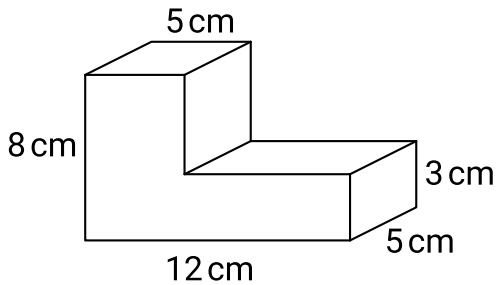
Q1

Find the volume. cm³

130



Q2

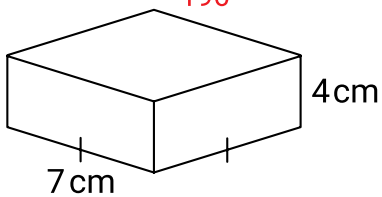


Volume = cm³ 305

Q3

Volume = cm³

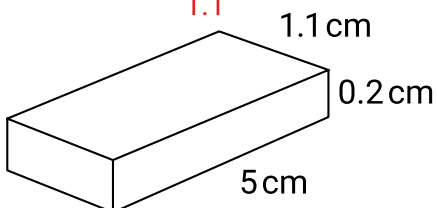
196



Q4

Volume = cm³ (1d.p.)

1.1

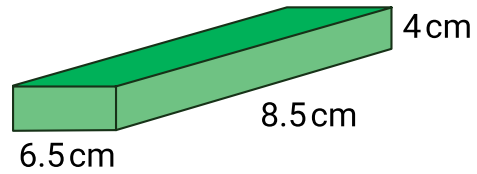


Q5

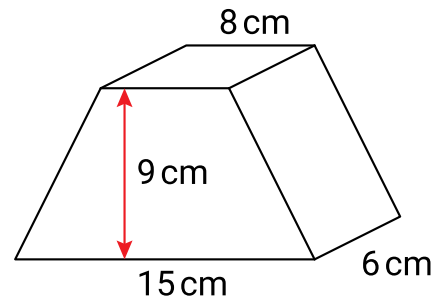
DIAGRAM IS NOT TO SCALE

Find the volume. cm³

221

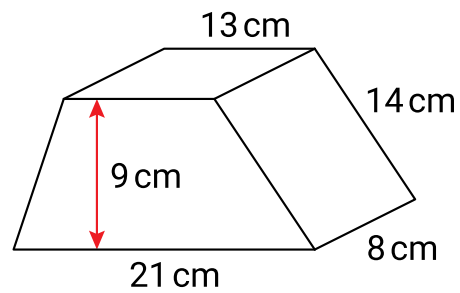


Q6



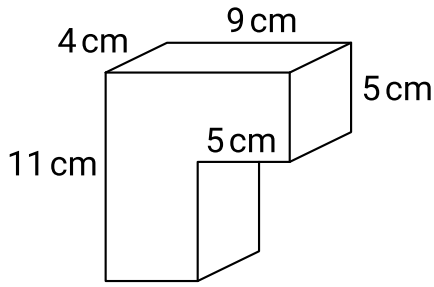
Volume = cm³ 621

Q7



Volume = cm³ 1224

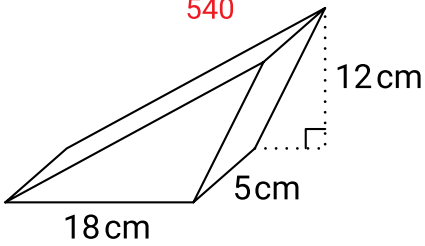
Q8



Volume = cm³ 276

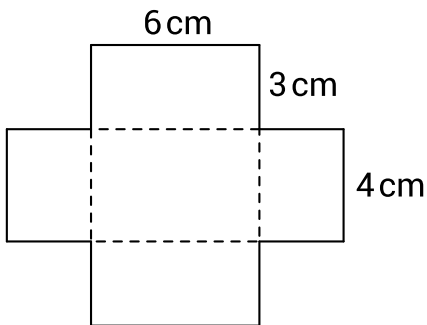
Q9

Volume = cm³
540



Q10

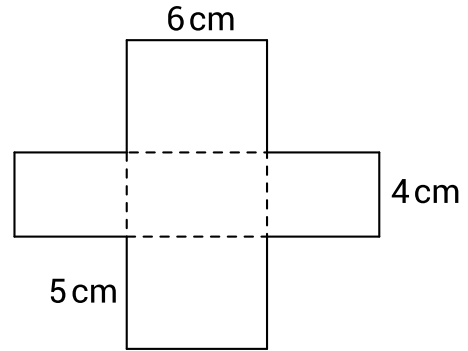
This sheet of cardboard is folded to form a box. Find its volume.



Volume = cm³ 72

Q11

This sheet of cardboard is folded to form a box. Find its volume.



Volume = cm³ 120

Q12

What is the volume of a rectangular prism with length 8 cm, width 7.5 cm and height 4.2 cm?

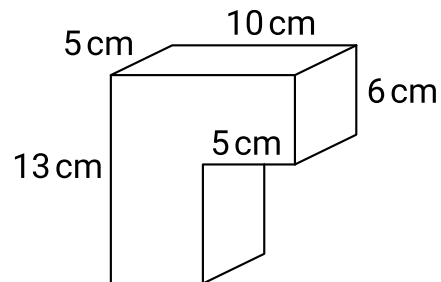
Volume = cm³
252

Q13

A hexagonal prism has a volume of 900 cm³. The height of the prism is 24 cm. What is the area of the hexagonal face?

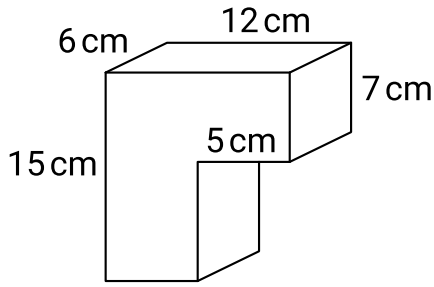
Area = cm²
37.5

Q14



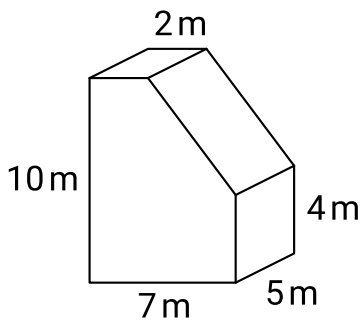
Volume = cm³ 475

Q15



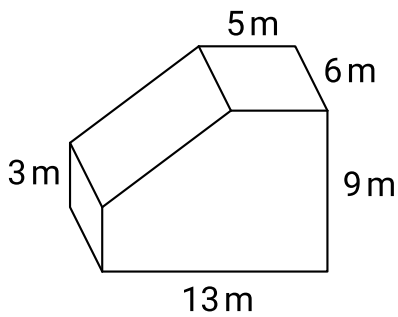
Volume = cm³ 840

Q16



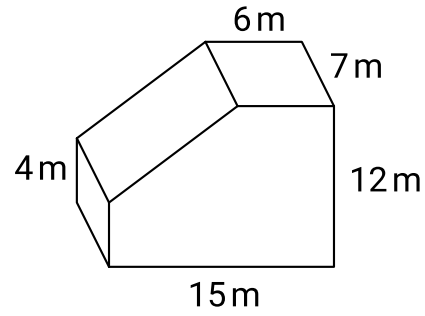
Volume = m³
275

Q17



Volume = m³
558

Q18



Volume = m³
1008

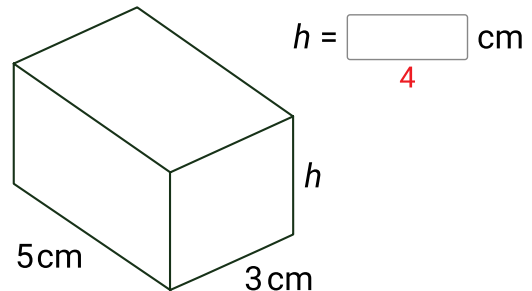
Q19

The volume of a rectangular prism is 78 cm³.
If length = 5.2 cm and height = 3 cm, find the
breadth of the prism.

Breadth = cm
5

Q20

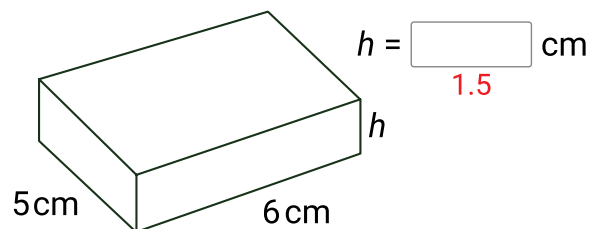
The volume of this prism is 60 cm³.
Find the value of h .



$h =$ cm
4

Q21

The volume of this prism is 45 cm³.
Find the value of h .



$h =$ cm
1.5

Q22

A rectangular prism has a volume of 480 cm^3 . The length of the prism is 12 cm and the breadth is 8 cm . What is the height?

Height = cm
5

Q23

A rectangular prism has a volume of 12.48 cm^3 . The length of the prism is 3.2 cm and the height is 1.5 cm . What is the width?

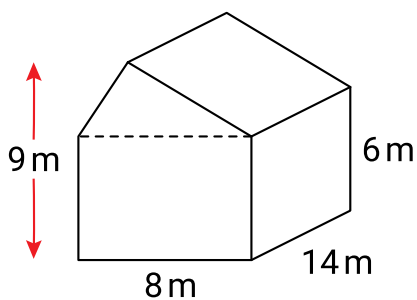
Width = cm
2.6

Q24

A rectangular prism has a volume of 9 cm^3 . Two of the edge lengths of the prism are 2 cm and 3 cm . What is the length of the third dimension?

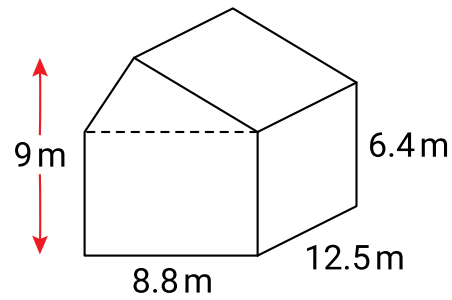
Length = cm
1.5

Q25



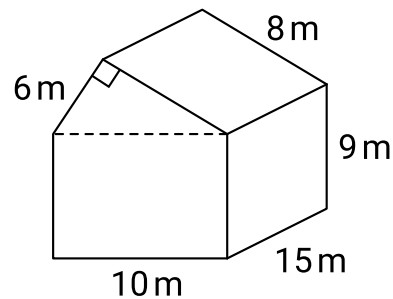
Volume = m^3
840

Q26



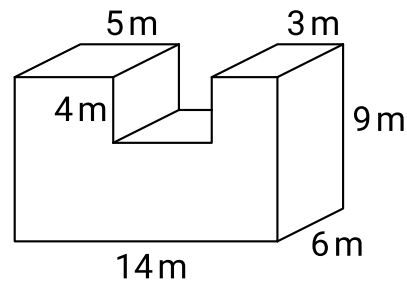
Volume = m^3
847

Q27



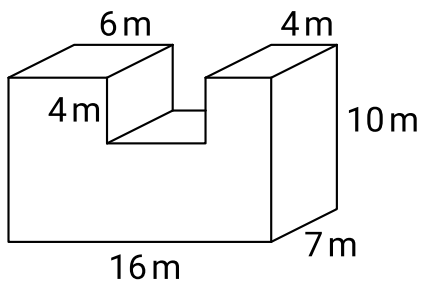
Volume = m^3
1710

Q28



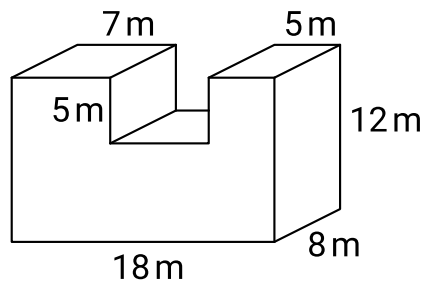
Volume = m^3
612

Q29



Volume = m³
952

Q30



Volume = m³
1488