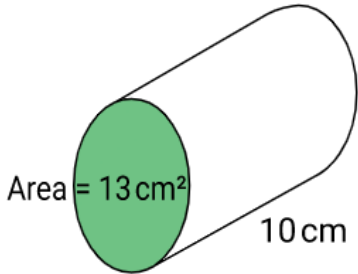


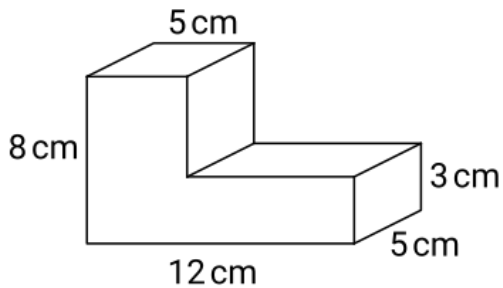
Year 8 Class 24 questions

Q1

Find the volume. cm^3



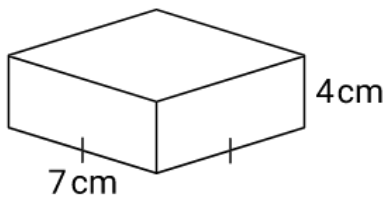
Q2



Volume = cm^3

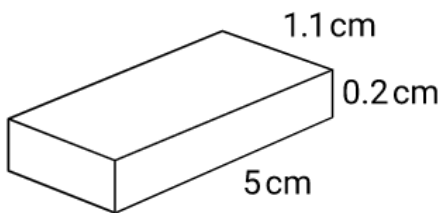
Q3

Volume = cm^3



Q4

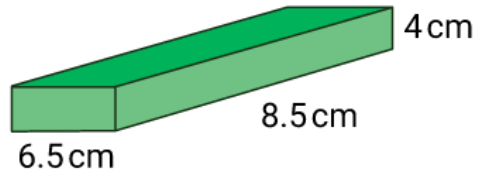
Volume = cm^3 (1d.p.)



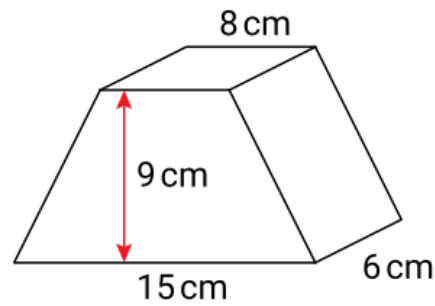
Q5

DIAGRAM IS NOT TO SCALE

Find the volume. cm^3

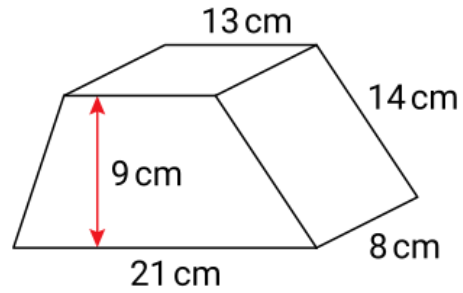


Q6



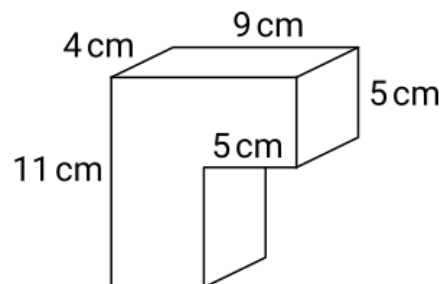
Volume = cm^3

Q7



Volume = cm^3

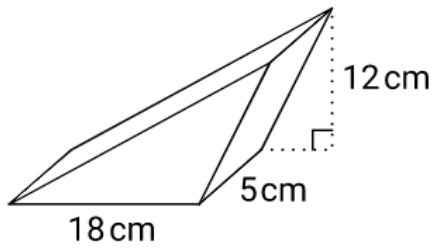
Q8



Volume = cm^3

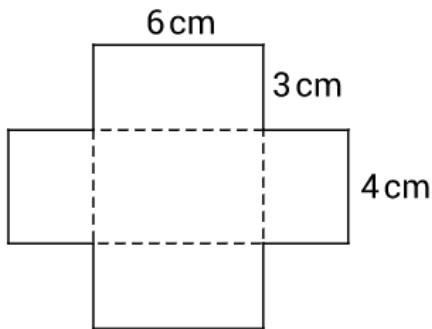
Q9

Volume = cm³



Q10

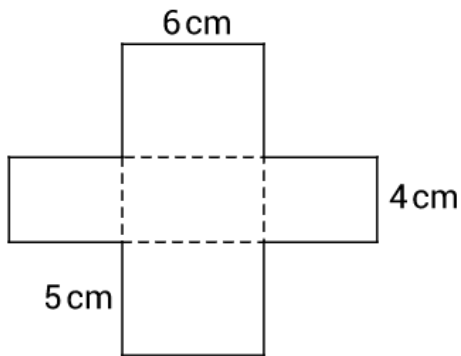
This sheet of cardboard is folded to form a box. Find its volume.



Volume = cm³

Q11

This sheet of cardboard is folded to form a box. Find its volume.



Volume = cm³

Q12

What is the volume of a rectangular prism with length 8 cm, width 7.5 cm and height 4.2 cm?

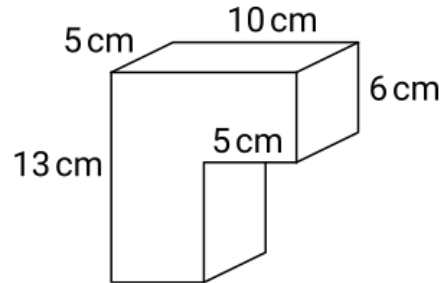
Volume = cm³

Q13

A hexagonal prism has a volume of 900 cm³. The height of the prism is 24 cm. What is the area of the hexagonal face?

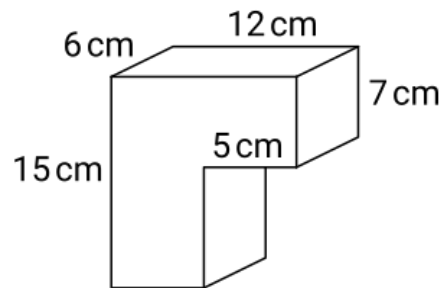
Area = cm²

Q14



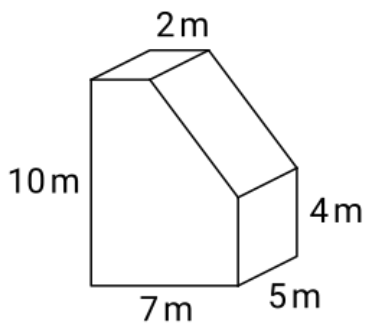
Volume = cm³

Q15



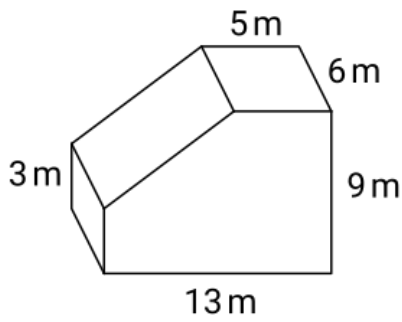
Volume = cm³

Q16



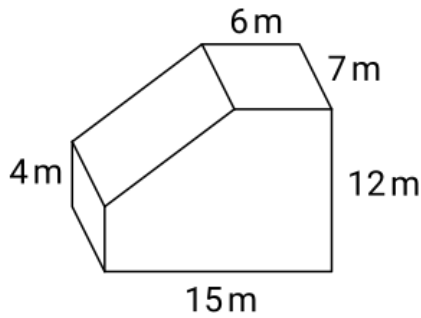
Volume = m³

Q17



Volume = m³

Q18



Volume = m³

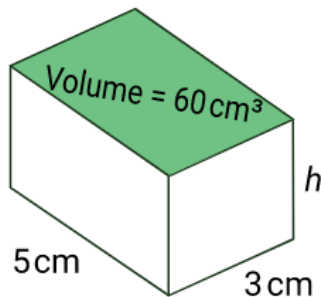
Q19

The volume of a rectangular prism is 78 cm³. If length = 5.2 cm and height = 3 cm, find the breadth of the prism.

Breadth = cm

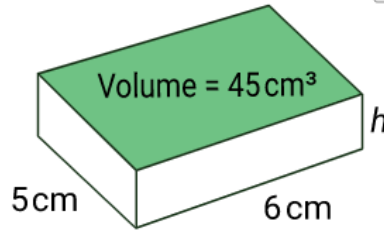
Q20

Find the missing value. $h =$ cm



Q21

Find the missing value. $h =$ cm



Q22

A rectangular prism has a volume of 480 cm³. The length of the prism is 12 cm and the breadth is 8 cm. What is the height?

Height = cm

Q23

A rectangular prism has a volume of 12.48 cm³. The length of the prism is 3.2 cm and the height is 1.5 cm. What is the width?

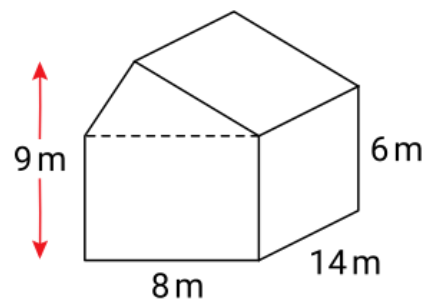
Width = cm

Q24

A rectangular prism has a volume of 9 cm³. Two of the edge lengths of the prism are 2 cm and 3 cm. What is the length of the third dimension?

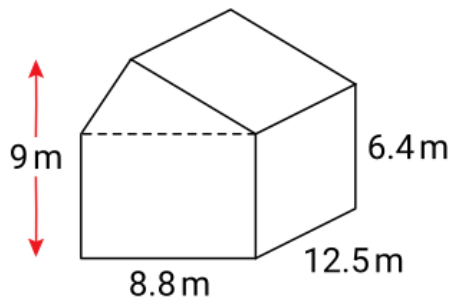
Length = cm

Q25



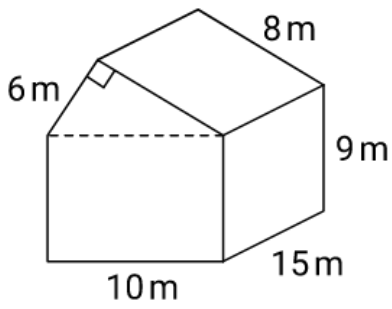
Volume = m³

Q26



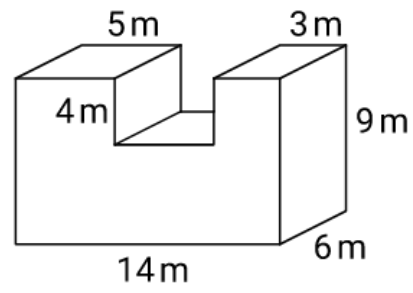
Volume = m³

Q27



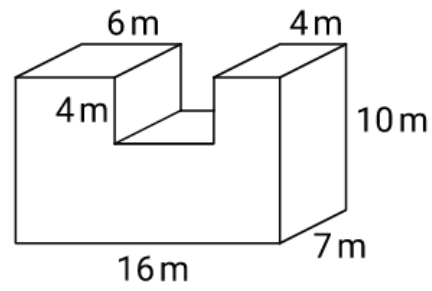
Volume = m³

Q28



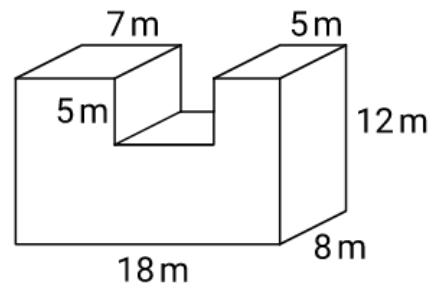
Volume = m³

Q29



Volume = m³

Q30



Volume = m³