

Year 8 Class 23 questions

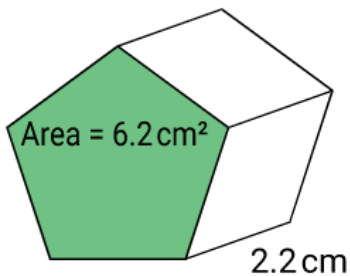
Q1

What is the most appropriate unit of volume for a cup?

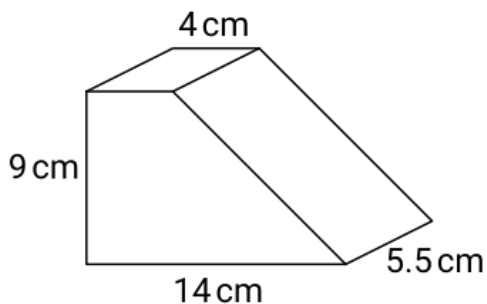
- km³
 m³
 cm³

Q2

Find the volume. cm³



Q3



Volume = cm³

Q4

Complete the conversion.

2 cm³ = mm³

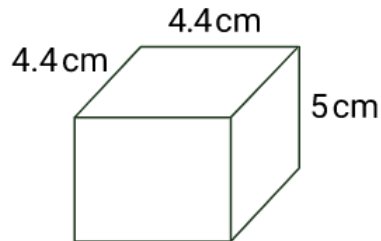
Q5

Complete the conversion.

750 mL = cm³

Q6

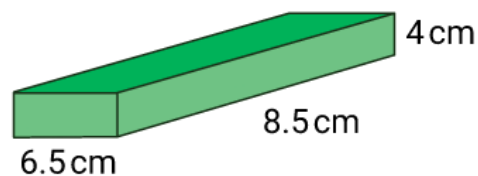
Volume = cm³ (1d.p.)



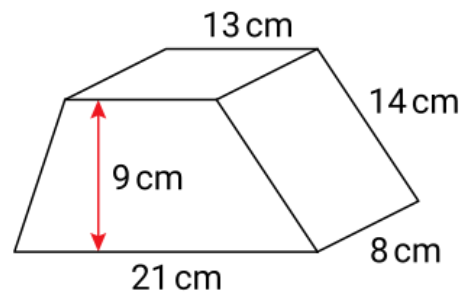
Q7

DIAGRAM IS NOT TO SCALE

Find the volume. cm³

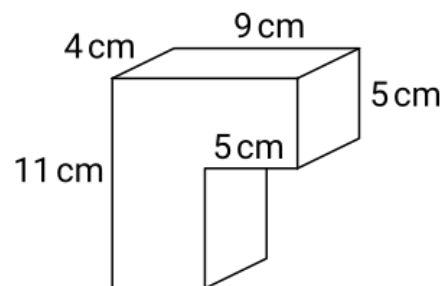


Q8



Volume = cm³

Q9



Volume = cm³

Q10

Complete the conversion.

$25000 \text{ mm}^3 = \boxed{} \text{ cm}^3$

Q11

Complete the conversion.

$3500 \text{ mm}^3 = \boxed{} \text{ cm}^3$

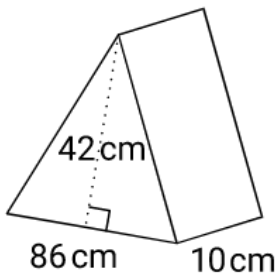
Q12

Complete the conversion.

$2 \text{ m}^3 = \boxed{} \text{ cm}^3$

Q13

Volume = $\boxed{}$ cm^3



Q14

What is the volume of a rectangular prism with length 8 cm, width 7.5 cm and height 4.2 cm?

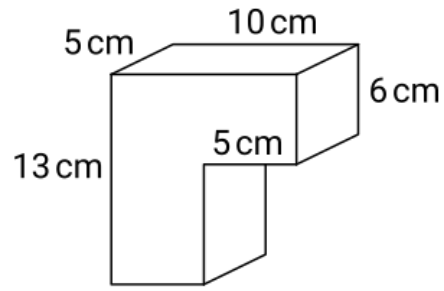
Volume = $\boxed{}$ cm^3

Q15

A hexagonal prism has a volume of 900 cm^3 . The height of the prism is 24 cm. What is the area of the hexagonal face?

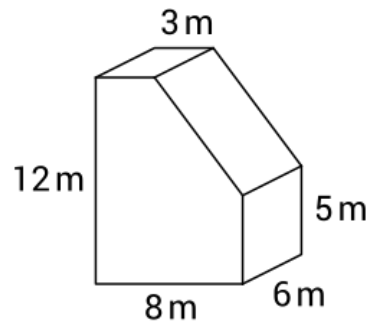
Area = $\boxed{}$ cm^2

Q16



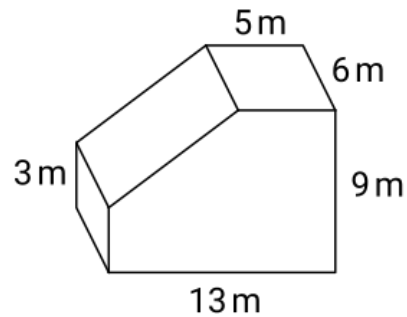
Volume = $\boxed{}$ cm^3

Q17



Volume = $\boxed{}$ m^3

Q18



Volume = $\boxed{}$ m^3

Q19

Complete the conversion.

$9000 \text{ kL} = \boxed{} \text{ ML}$

Q20

Complete the conversion.

$14.2 \text{ L} = \boxed{} \text{ cm}^3$

Q21

Complete the conversion.

2 kL = cm³

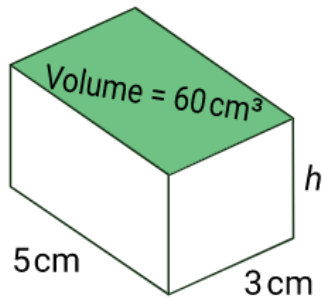
Q22

Complete the conversion.

3 200 000 cm³ = kL

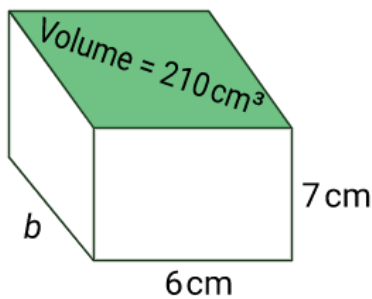
Q23

Find the missing value. $h =$ cm



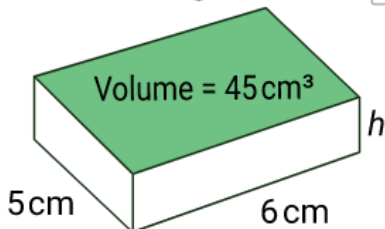
Q24

Find the missing value. $b =$ cm



Q25

Find the missing value. $h =$ cm

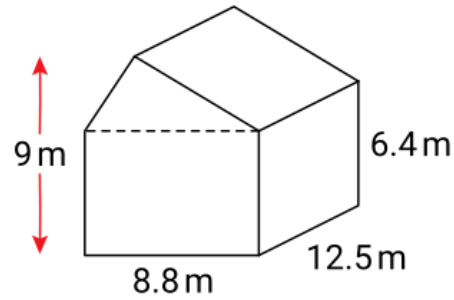


Q26

A rectangular prism has a volume of 9 cm³. Two of the edge lengths of the prism are 2 cm and 3 cm. What is the length of the third dimension?

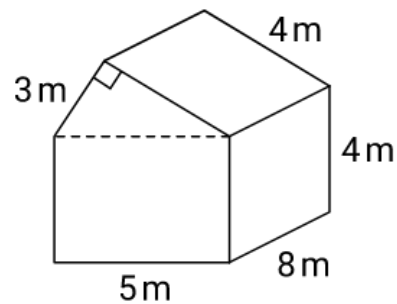
Length = cm

Q27



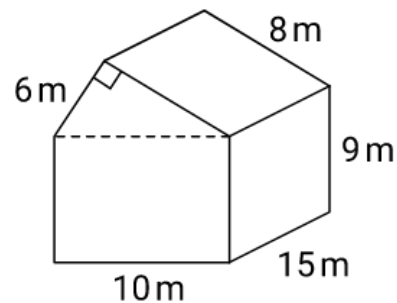
Volume = m³

Q28



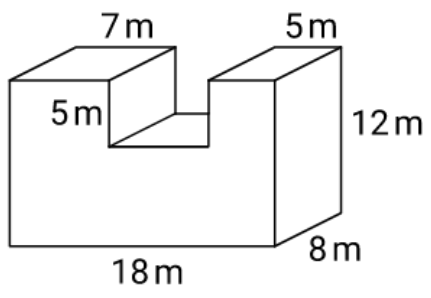
Volume = m³

Q29



Volume = m³

Q30



Volume = m³
