

## Year 8 Class 22 questions

Q1

What is the best estimate for the area of a computer monitor?

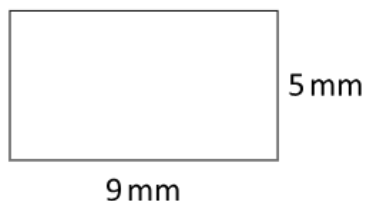
- 1.8 m<sup>2</sup>       1800 cm<sup>2</sup>  
 1800 m<sup>2</sup>       1800 mm<sup>2</sup>

Q2

What is the best estimate for the area of a school desk top?

- 0.6 m<sup>2</sup>       0.6 cm<sup>2</sup>  
 6 m<sup>2</sup>       60 cm<sup>2</sup>

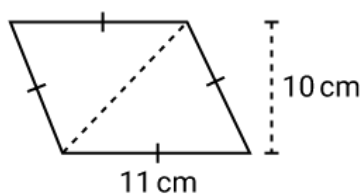
Q3



Area =  mm<sup>2</sup>

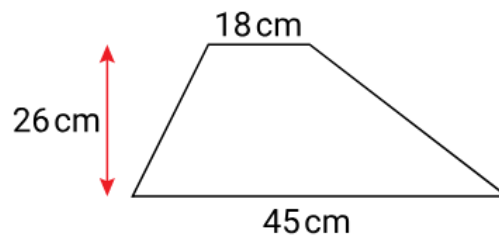
Q4

Find the area of this parallelogram.



Area =  cm<sup>2</sup>

Q5



Area =  cm<sup>2</sup>

Q6

Complete the conversion.

3000 mL =  L

Q7

Complete the conversion.

4 cm<sup>2</sup> =  mm<sup>2</sup>

Q8

Complete the conversion.

12 cm<sup>2</sup> =  mm<sup>2</sup>

Q9

Complete the conversion.

54 mm<sup>2</sup> =  cm<sup>2</sup>

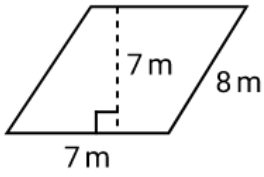
Q10

The area of a rectangle is 2451 m<sup>2</sup>.  
If the length is 64.5 m, find its width.

Width =  m

Q11

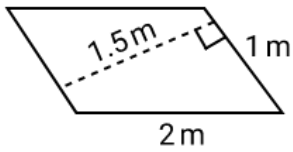
Find the area.



Area =  m<sup>2</sup>

Q12

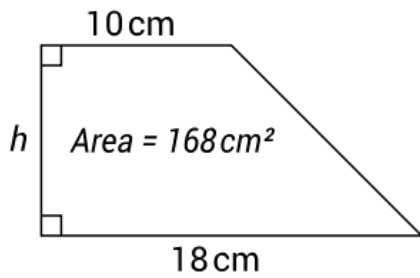
Find the area.



Area =  m<sup>2</sup>

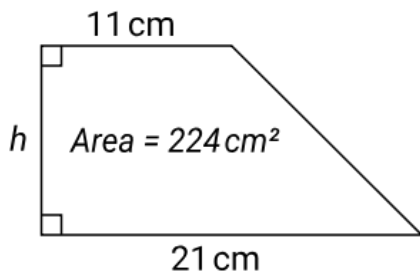
Q13

Find  $h$ .  cm



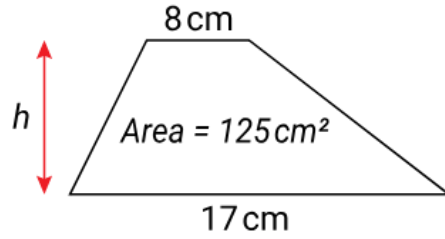
Q14

Find  $h$ .  cm



Q15

Find  $h$ .  cm



Q16

Complete the conversion.

$1\,000\,000 \text{ cm}^3 = \text{  m}^3$

Q17

Complete the conversion.

$2 \text{ m}^3 = \text{  cm}^3$

Q18

Complete the conversion.

$7.2 \text{ kL} = \text{  m}^3$

Q19

Complete the conversion.

$2.5 \text{ m}^2 = \text{  mm}^2$

Q20

Complete the conversion.

$25 \text{ ha} = \text{  m}^2$

Q21

Complete the conversion.

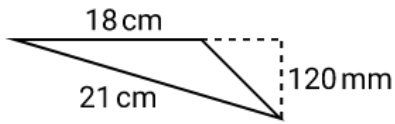
$65 \text{ ha} = \text{  km}^2$

Q22

A footpath is 90 cm wide and 9.2 m long. Find the area in m<sup>2</sup>.

Q23

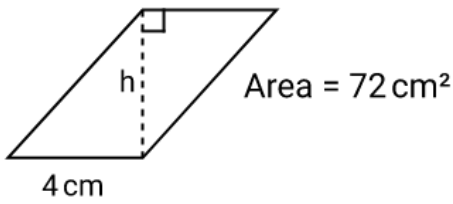
Find the area of this triangle.



Area =  cm<sup>2</sup>

Q24

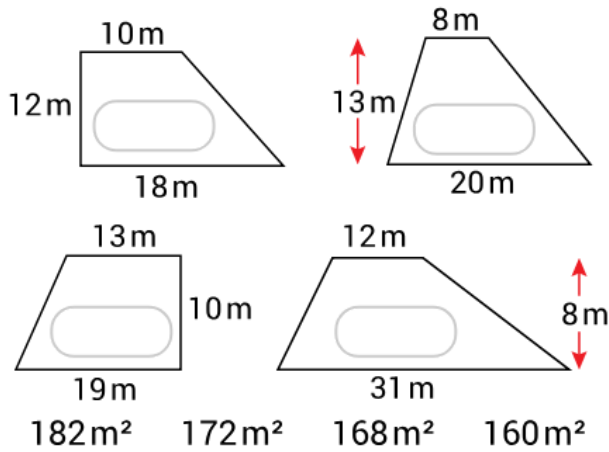
Find the value of h.



h =  cm

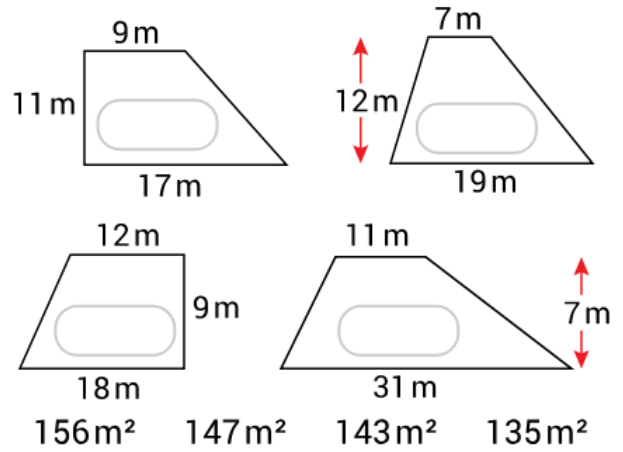
Q25

Match the trapeziums with their area.  
*Diagrams are not drawn to scale.*



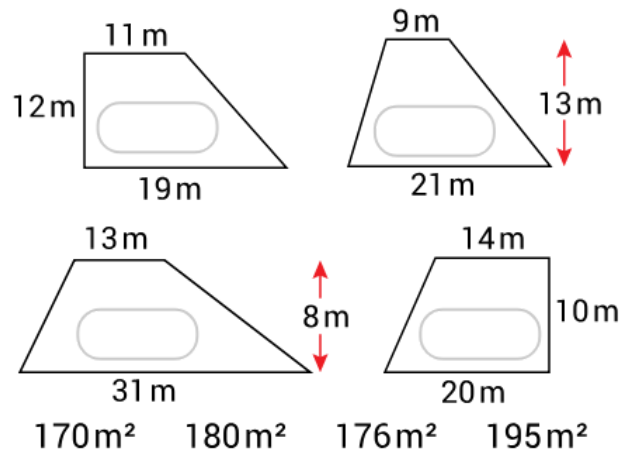
Q26

Match the trapeziums with their area.  
*Diagrams are not drawn to scale.*



Q27

Match the trapeziums with their area.  
*Diagrams are not drawn to scale.*



Q28

Complete the conversion.

3ML =  kL

Q29

Complete the conversion.

2.5m<sup>3</sup> =  mm<sup>3</sup>

Q30

Complete the conversion.

3 200 000 cm<sup>3</sup> =  kL